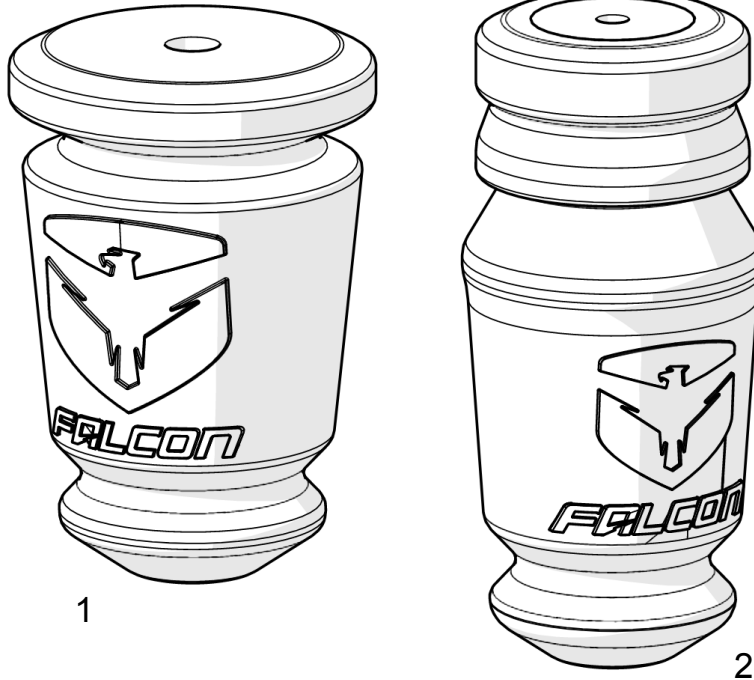




# Jeep JL Wrangler Jounce Bumper Instructions

Kit #1959200 - Jounce Bumper Kit, Jeep JL Wrangler



Item No.	Part Number	Description	Qty
1	45-02-02-002	Bumper (S), Foam, Snap-In, 3.90" Tall	2
2	45-02-03-001	Bumper (S), Foam, Snap-In / 1.97" Dia. 4.72" Tall	2

## Important Notes:

Prior to beginning this install, or any installation, *read the instructions thoroughly* to familiarize yourself with the required steps. Evaluate if you are experienced and capable to personally perform these modifications. A factory service manual should be used in conjunction with these installation instructions.

After altering the suspension it is always advisable to have an alignment done by a competent 4 wheel drive shop or by an alignment shop that is experienced with lifted 4 wheel drive vehicles.

Refer to the parts list to ensure that all necessary components and hardware has been included. If any parts are missing please contact your local TeraFlex dealer for assistance.

**Refer to the factory service manual for the torque specs of the originally equipped hardware.**

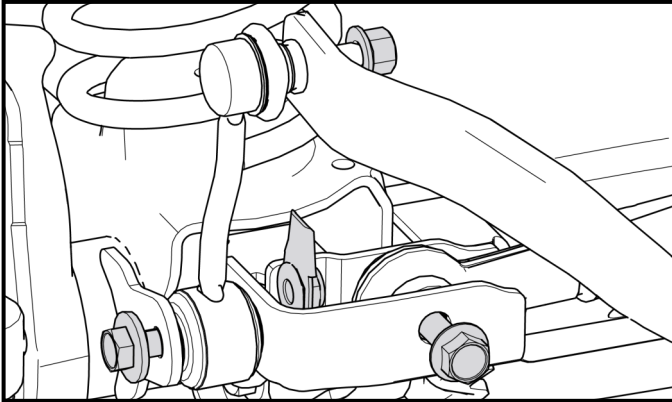
## Tools needed:

- This installation guide
- Basic mechanics tool set

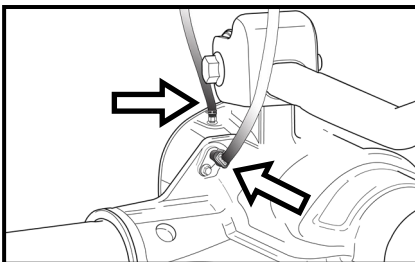
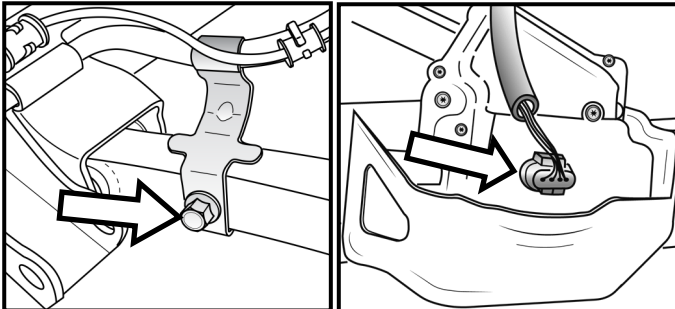
**FRONT AXLE**

REFER TO THE FACTORY SERVICE MANUAL FOR LIFT LOCATIONS.

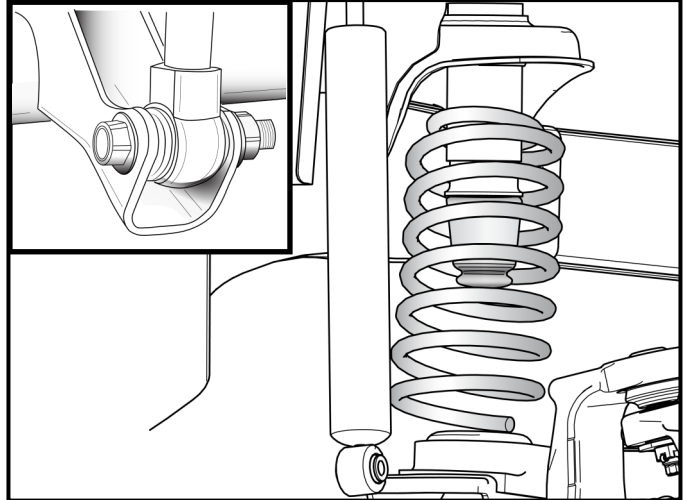
1. Raise and support the vehicle at the frame.
2. Remove the front tires and wheels.
3. Support the front axle with a jack or jack stands.
4. Remove the sway bar links at the axle.
5. Remove the track bar at the axle.



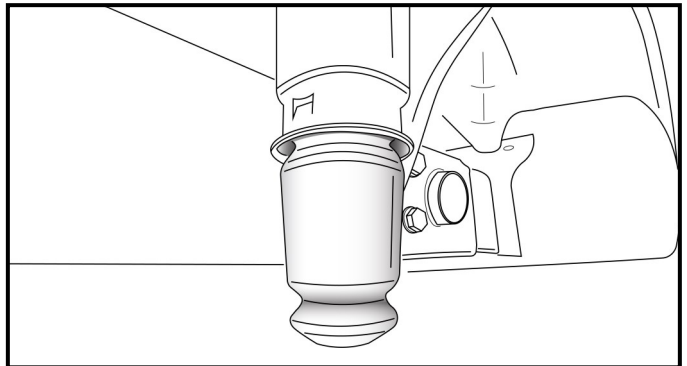
6. Remove the ABS/brake line anchor bracket from the frame (driver and passenger side).
7. Remove the breather hose and axle actuator from the axle. **NOTE:** On Rubicon models the locker actuator will need to be removed as well.



8. Remove the shock at the axle.
10. Lower the axle until the springs are free and remove the springs. **NOTE:** Watch brake lines and wiring harnesses while lowering axle.



10. Remove the front bumpstops.
11. Install the new Front Extended Bumpstops into the factory jounce tubes. **Note:** If needed use a small amount of silicone lube spray, to help install the bumpstops.

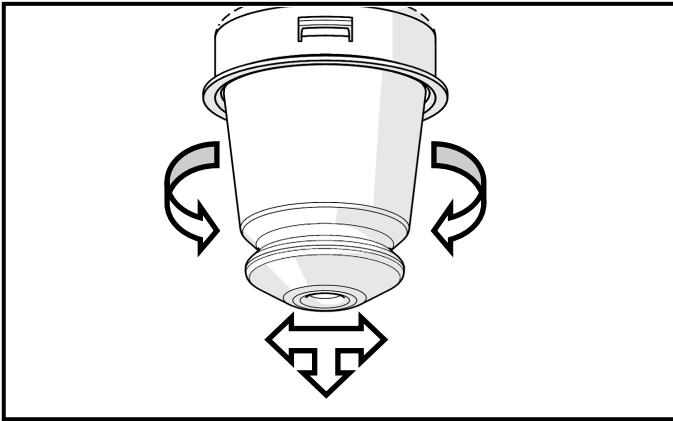


12. Reinstall the springs. **NOTE:** Check that the upper spring isolator is installed correctly with the locating pins aligned with holes in the upper spring mount.
13. Rotate the spring until pig tail end is fully seated into lower spring pads.
14. Raise the axle enough to reinstall the shocks. Torque shock bolts to 56 ft-lbs.
15. Reinstall sway bar links and torque bolts to 69 ft-lbs.

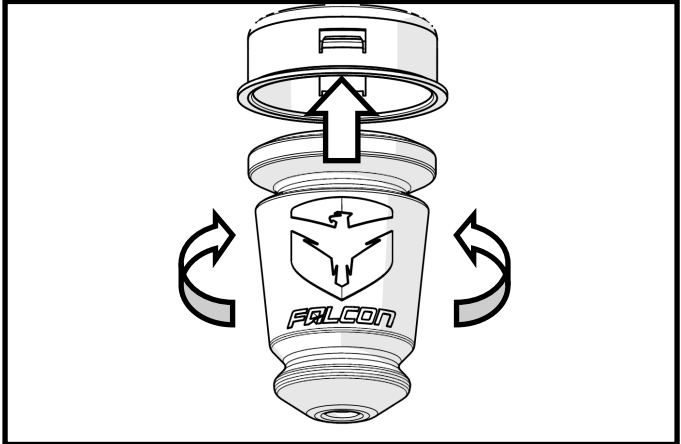
- 16. Reinstall brake line brackets, axle actuator plug and breather hose and any plastic retainers from wiring or hoses that were removed. Rubicon models: Reinstall locker actuator plug.
- 17. Reinstall the front wheels and tires and lower Jeep to the ground. Torque lug nuts to factory recommended specs.
- 18. Reinstall the front track bar and torque bolt to factory recommended specs.

**REAR AXLE**

- 19. Remove the bumpstop from the frame mount by simply pulling downward with a twisting motion.



- 20. Install new bumpstop by twisting and pushing up. Note: If needed use a small amount of silicone lube spray, to help install the bumpstops.



**CONFIRM THAT ALL BRACKETS  
ARE REINSTALLED AND FASTENERS  
TORQUED CORRECTLY BEFORE  
OPERATING THE JEEP.**

**INSTALLATION IS COMPLETE!**

## PRODUCT INFORMATION

### MAINTENANCE INFORMATION:

It is the buyer's responsibility to have all suspension, drivetrain, steering, and other components checked for proper tightness and torque after the first 100 miles and every 3000 miles after that.

### NOTICE TO INSTALLER:

The enclosed "Warning to Driver" sticker must be installed in the vehicle in driver's view. This sticker is to act as a constant safety reminder when operating the vehicle. It is your responsibility as the equipment installer to install the provided sticker and to forward the product instructions to the vehicle's owner for review. If a "Warning to Driver" sticker or product installation guide were not included in the kit, FREE replacement stickers and instructions are available by request. It is the installer's duty to ensure a safe and controllable vehicle after the modifications have been performed.

### WARNING:

Neither the seller nor the manufacturer will be liable for any loss, damage, or injury directly or indirectly arising from the use of or inability to determine the use of these products. Before using, the user shall determine the suitability of the products for its intended use, and the user shall assume all responsibility and risk in connection therewith.

### WARNING TO DRIVER:

This vehicle has been modified to enhance off road performance and has unique handling characteristics. Use in harsh environments can cause extreme stress on the components. Vehicle should be inspected after being off road to make sure that all the components are in working order and safe to travel on the highway. All fasteners should be checked so that they are at the correct torque specifications as the vibration and stresses from off roading may cause critical fasteners to work loose. Extra care should be taken to inspect the critical components, steering, and brake systems. During each oil change components such as arms, tie rod ends, etc should be greased and checked for excessive wear. Any worn components should be replaced. When returning to the pavement always set or restore tire air pressure to the factory recommendation and connect or engage any disabled sway bar mechanisms. Because of the higher center of gravity and larger tires, this vehicle handles and reacts differently than many passenger cars, both on and off road. You must drive it safely! Extreme care should be taken to prevent vehicle rollover or loss of control, which can result in serious injury or death. Avoid sudden sharp turns or abrupt maneuvers. Generally, braking performance and capabilities are decreased when significantly larger/heavier tires are used, especially when used in combination with transfer case low-range reduction kits. Take this into consideration while driving. Do not add, alter or fabricate any factory or aftermarket parts to increase vehicle height over the intended height of the TeraFlex product purchased. Mixing component brand is not recommended. TeraFlex Inc. will not be responsible for any altered product or any improper installation or use of our products. We will be happy to answer any questions concerning the design, function, and correct use of our products. It is ultimately the buyer's responsibility to have all bolts/nuts checked for tightness after the first 100 miles and then every 3000 miles. Wheel alignment, steering system, suspension and drive line systems must be inspected by a qualified professional mechanic at least every 3000 miles.

### TERAFLEX PRODUCT WARRANTY:

TeraFlex Inc. warrants TeraFlex Suspension products to the original retail purchaser to be free of defects in material and workmanship for as long as the original purchaser owns the vehicle on which products were originally installed.

Failure to complete regular maintenance (grease every 3000 miles) on TeraFlex FlexArms will void this warranty. All other conditions of the standard TeraFlex product warranty apply.

All TeraLow products are covered by the TeraFlex two (2) year warranty to be free of defects in material and workmanship for two years from date purchased.

TeraFlex axles are covered by a 12-month warranty to be free of defects in materials and workmanship.

This warranty does not cover or include product finish, improperly installed or applied products, improperly maintained products, products or components used for racing or competition or damage due to abuse or neglect, products that fail due to the use of larger tire and wheel combinations.

All returns must be accompanied by an original invoice. It is the customer's responsibility to remove the product from the vehicle. Shipping charges are the responsibility of the customer. TeraFlex Inc. will pay the return freight if the product meets the terms of warranty.

This warranty is for the replacement or repair of defective TeraFlex products only and does not include freight charges, labor charges for removal of or installation of TeraFlex or related products or components, costs incurred due to down time of the vehicle, or lost profits due to vehicle down time.

A returned goods authorization number (RGA#) must accompany any returned products. For more information please contact a TeraFlex customer service representative.

### COPYRIGHT

©Copyright 2014. All rights reserved, TeraFlex Inc. Reproduction of this catalog and/or any of its contents without written permission is strictly prohibited.

TeraFlex® is a registered trademark of TeraFlex Inc. All trade names and logos including but not limited to TeraFlex, FlexArms, RockGuard, Monster, and LCG are protected by law and duplication of trade names and/or logos are strictly prohibited.

TeraFlex Inc. reserves the right to update, discontinue, redesign, modify finish, part number or component build parts if deemed necessary without written notice.

TeraFlex Inc., and any associated dealers are not responsible for misprints or typographical errors that may have inadvertently been made within this instruction sheet.

Jeep® and the Jeep® grill are registered trademarks of Fiat Chrysler Automobiles N.V., and have no affiliation with TeraFlex Inc.

**TERAFLEX**, Inc.  
5680 West Dannon Way  
West Jordan, Utah 84081  
Phone/801.713.3314  
Fax/801.713.2313  
[www.teraflex.com](http://www.teraflex.com)